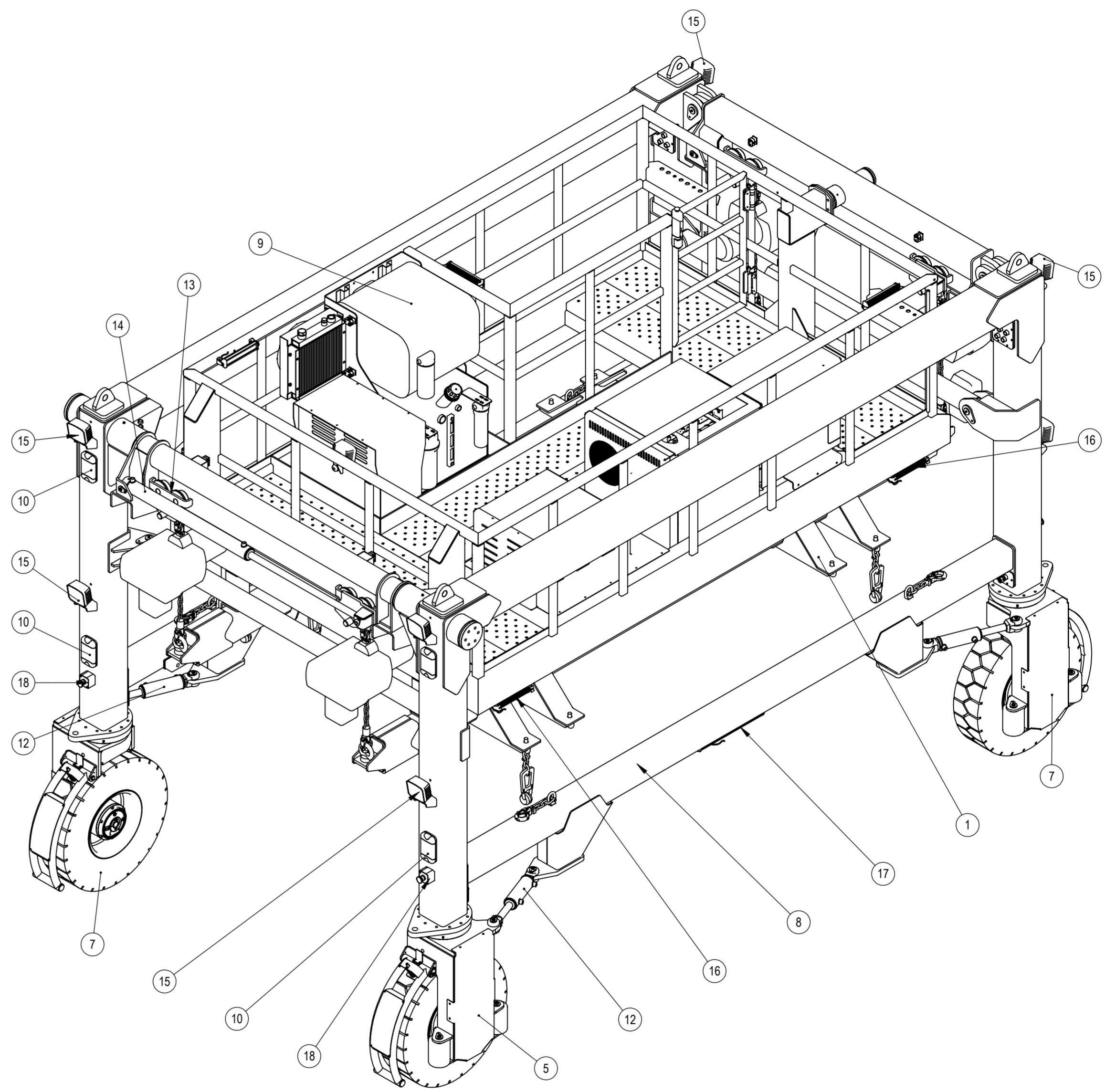


ITEM NO.	PART NUMBER	DESCRIPTION	MATERIAL	Default/ QTY.
1	3557-010	PLINTH SPREADER BEAM	ASSEMBLY	2
2	3557-020	TRAVERSE PICKUP - FORE	ASSEMBLY	2
3	3557-021	ROD END PIN	ASSEMBLY	4
4	3557-025	TRAVERSE PICKUP - AFT	ASSEMBLY	2
5	3557-100	WHEELSET ASSEMBLY	ASSEMBLY	2
6	3557-170	STEERING CYLINDER PIVOT PIN	ASSEMBLY	8
7	3557-180	WHEELSET ASSEMBLY	ASSEMBLY	2
8	3557-200	STRADDLE CRANE MAIN STRUCTURE	ASSEMBLY	1
9	3557-300	ACCESS PLATFORM	ASSEMBLY	1
10	959037xx	LED AMBER FLASHER	PURCHASED	8
11	BECH-336	3 TONNE CHAIN HOIST	PURCHASED	4
12	CL-CL250150x152	STEERING CYLINDER	PURCHASED	4
13	MT-3-00	3 TONNE GIRDER TROLLEY	PURCHASED	4
14	SB-C250150x840	TRAVERSE CYLINDER	PURCHASED	4
15	TDR08105	35W LED WORKLIGHT	PURCHASED	9
16	TDR08112	9 LED BAR LIGHT	PURCHASED	7
17	TDR08120	18 BAR LED LIGHT	PURCHASED	2
18	e-stop_xalk178e	E-STOP & ENCLOSURE	PURCHASED	4



UNLESS OTHERWISE SPECIFIED: DIMENSIONS IN MILLIMETRES SURFACE FINISH: 1.6um TOLERANCES: LINEAR: x mm ± 0.5mm x.x mm ± 0.1mm x.xx mm ± 0.05mm ANGULAR: ± 0.2°		PROJECT: SH1200	DEBURR AND BREAK SHARP EDGES	DO NOT SCALE DRAWING	REVISION
DRAWN: PWG		SIGNATURE:	DATE: 27/06/17	TITLE: STRADDLE CRANE	
CHK'D:				DWG NO. 3557-000	
APP'VD:		MANCO RAIL 139 Cryers Road, East Tamaki AUCKLAND + 64 9 274 9862		SCALE: 1:20	
MFG:		© Copyright Manco Rail		SHEET 1 OF 2	
G.A.:		MATERIAL: ASSEMBLY		A2	
		WEIGHT:			

