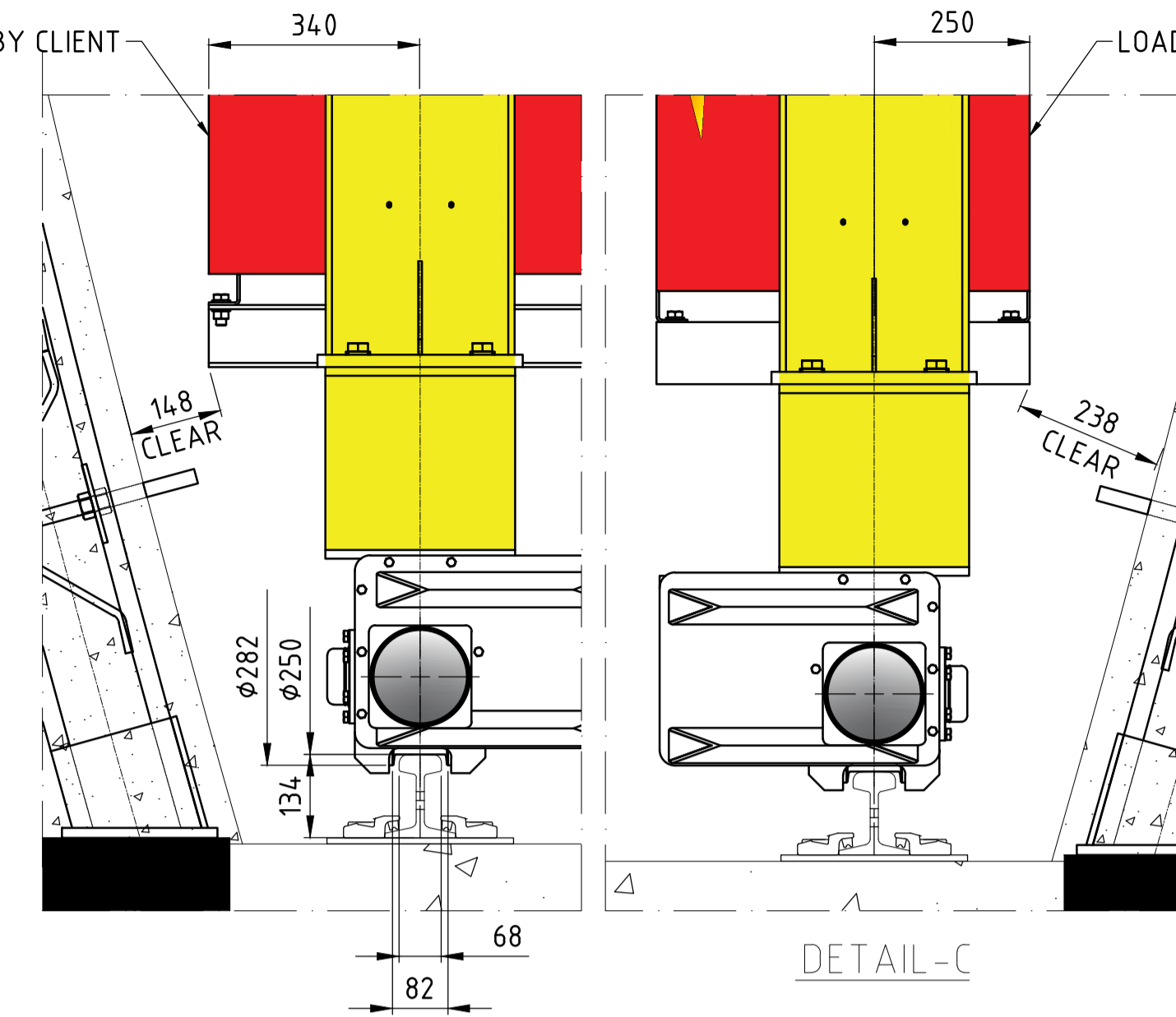


PLAN



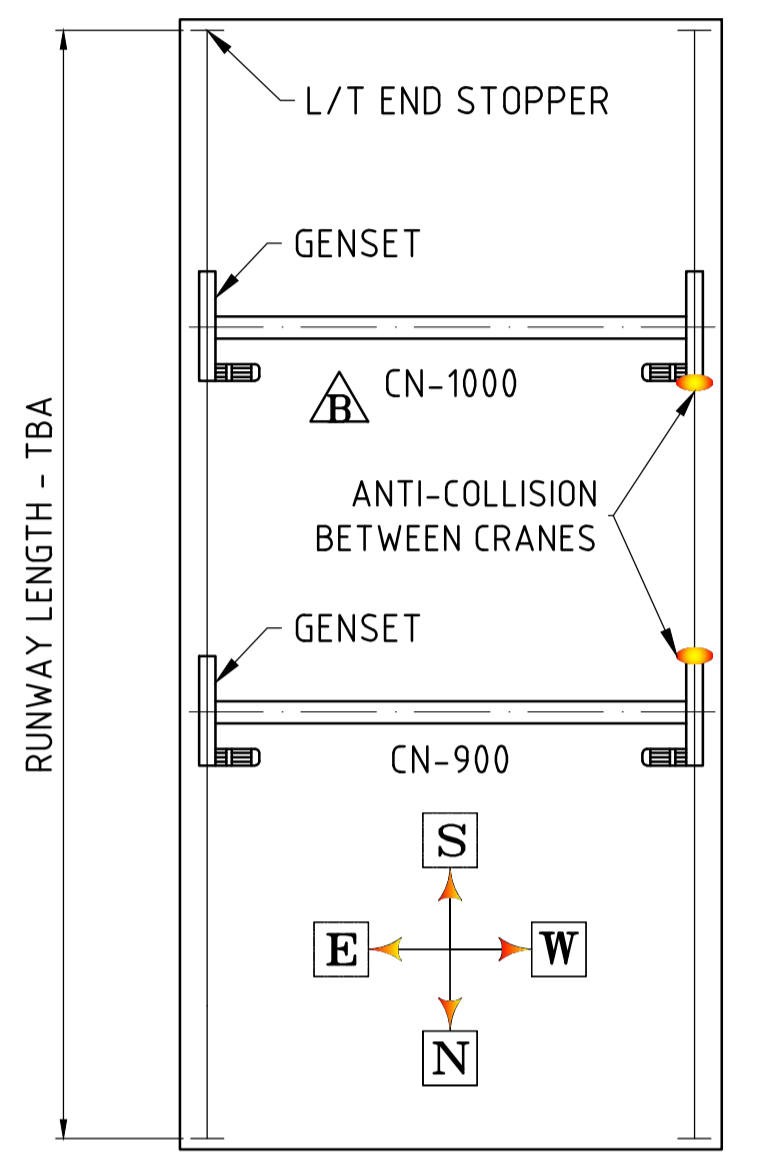
DETAIL-B

DETAIL-C

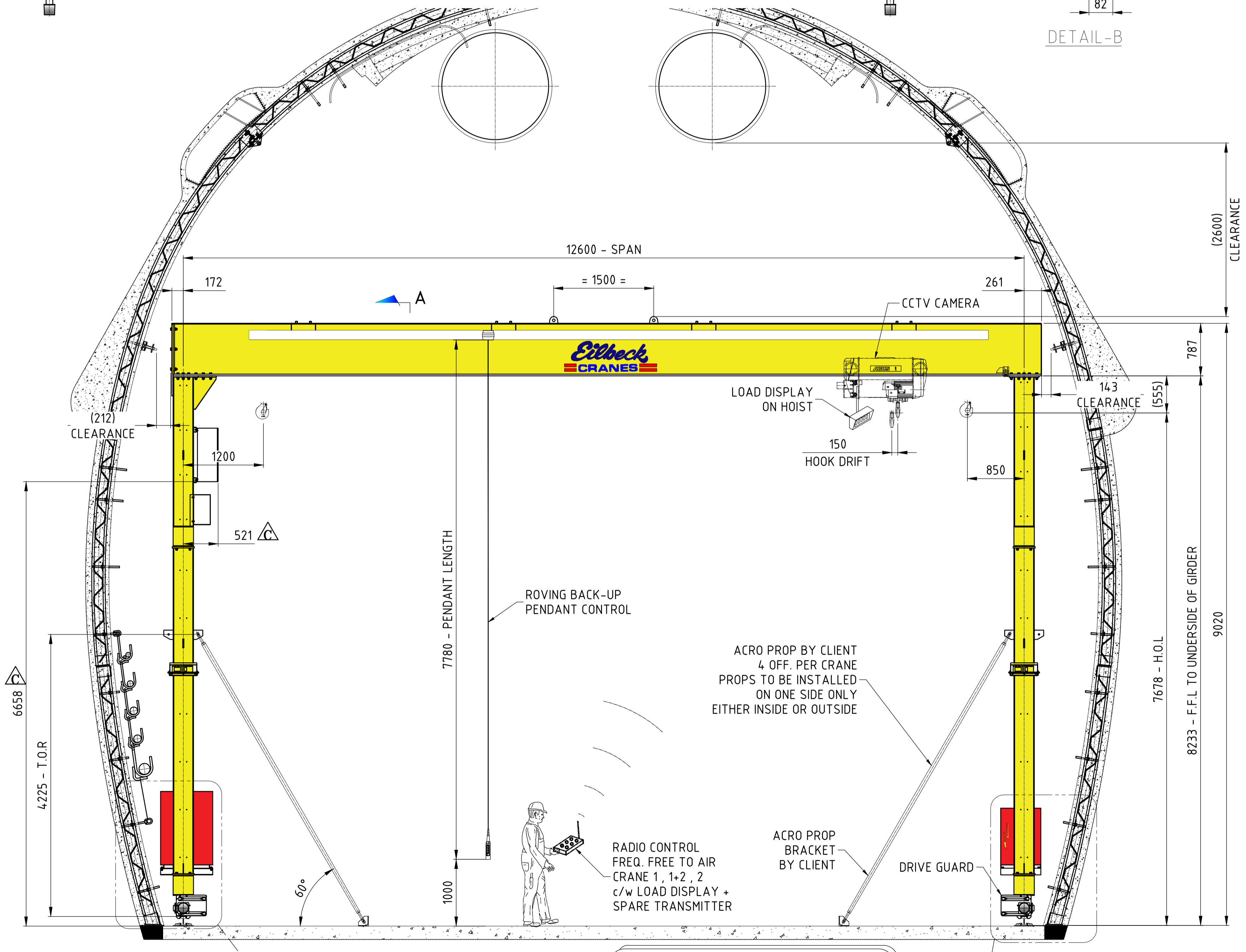
TECHNICAL SPECIFICATIONS

<b>1. CRANE BRIDGE</b>		<b>3. GENERAL:</b>	
RATED CAPACITY	: 12.5 t	GROUP CLASS	: C4 (AS 1418.1)
CRANE SPAN	: 12600 mm	CONTROL	: RADIO CONTROL
CRANE TYPE/MODEL	: FULL PORTAL ELK	POWER DEMAND	: 15 kW
MANUFACTURER	: EILBECK CRANES	SUPPLY VOLTAGE	: 415V / 50Hz / 3PH+E
CRANE SPEED (LT)	: 5-40 m/min (VSD)	CONTROL VOLTAGE	: 48 VDC
RUNWAY LENGTH	: TBA m	OPERATING LOCATION	: INDOORS
STRUCTURAL PAINTING	: EC'S SYSTEM E1	PROTECTION TYPE	: IP55
CRANE STRUCTURE WEIGHT	: 7700 kg (w/o HOISTS)	AMBIENT TEMPERATURE	: 5-40°
<b>2. HOIST</b>		TOTAL CRANE WEIGHT	: 8500 kg
HOIST CAPACITY	: 12.5 t	ABUS NO.	: FU16914821
MODEL	: GM3125.H.201.4.1.104.E.160	EC SERIAL No.	: 30448-30449
MANUFACTURER	: ABUS		
MECHANISM CLASS	: M4 (AS1418)		
LIFTING SPEED @ FULL LOAD	: 5 m/min (VSD)		
LIFTING SPEED @ HALF LOAD	: 7.5 m/min (VSD)		
LIFTING SPEED @ NO LOAD	: 10 m/min (VSD)		
HOOK DROP	: 7.678 m		
CRAB SPEED (CT)	: 1-20 m/min (VSD)		
PAINTING	: ABUS SYSTEM C2		
CRAB WEIGHT	: 760 kg		

WHEEL LOADING			
VERTICAL		LATERAL (ACROSS RAIL)	
- MIN STATIC	: 27 kN	- INERTIA	: 4 kN
- MAX STATIC	: 86 kN		
- MAX DYNAMIC	: 95 kN	LONGITUDINAL (ALONG RAIL)	
		- INERTIA	: 7 kN
		- BUFFER FORCE	: 18 kN

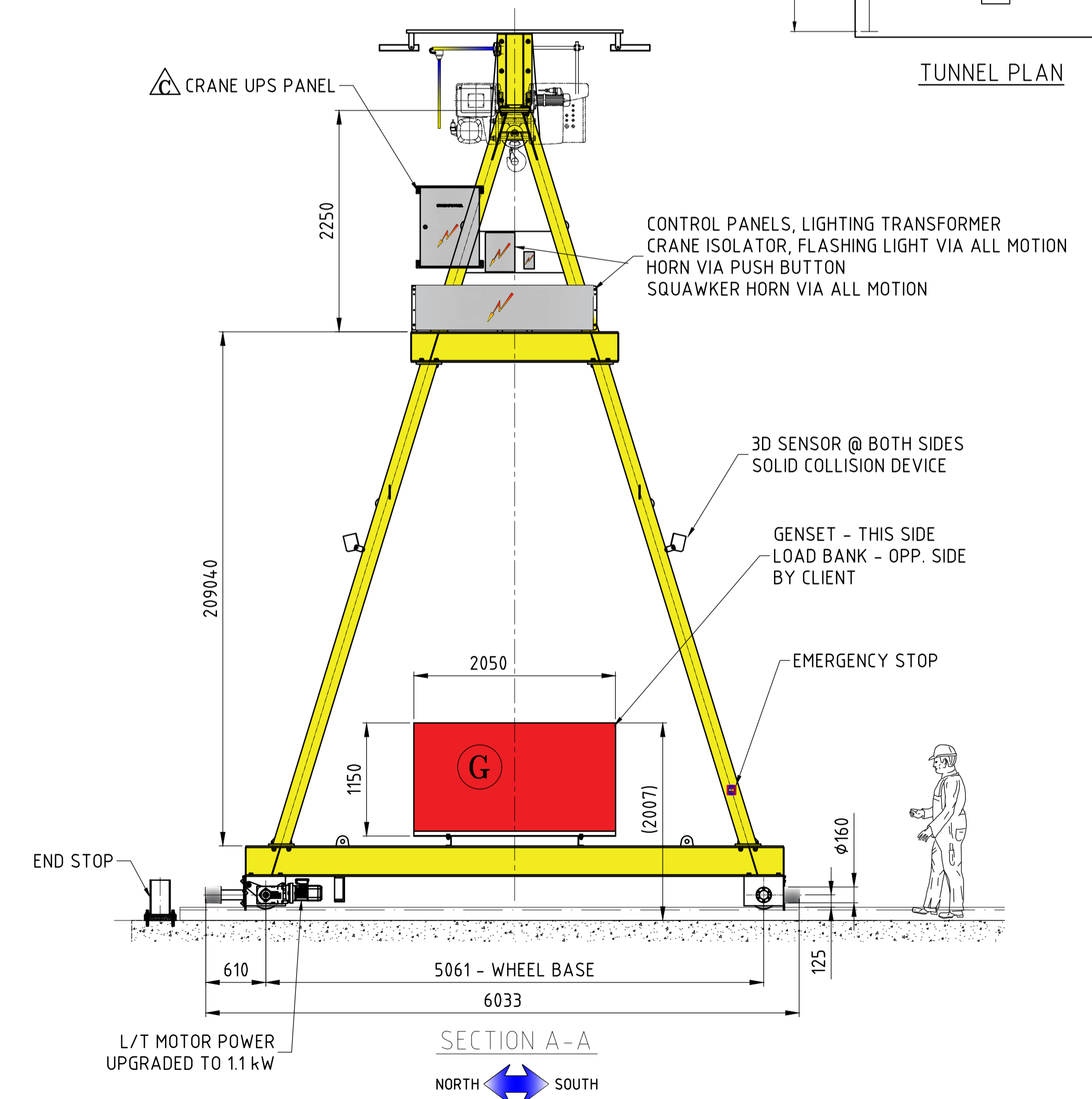


TUNNEL PLAN



ELEVATION

EAST ← WEST



SECTION A-A

NORTH ← SOUTH

CLIENT'S APPROVAL

SIGNATURE \_\_\_\_\_ DATE \_\_\_\_\_

NAME IN BLOCK LETTERS \_\_\_\_\_ POSITION \_\_\_\_\_

DESIGN REFERENCES	APPROVAL FOR CONSTRUCTION	CLIENT	CYP DESIGN & CONSTRUCTION JV	DWG TITLE
STRUCTURAL REF	CHECKED	PROJECT	CBD CAVERN PORTAL CRANES	12.5T MRC x 12.6M FULL PORTAL CRANE 'FPELK'
STRUCTURAL BY	APPROVED	EQUIPMENT ID	CN900   CN1000	GENERAL ARRANGEMENT
REGO BODY	DATE	SCALE	NTS	A1
MECHANICAL	SIGNED	UNITS	mm	35808-DMS-100
ELECTRICAL		DWG NO		REV
REV	DATE	REVISION DESCRIPTION		

NOTE:  
SOME SHEAR DISTANCE DO NOT MEET AS1418  
AND PRECAUTION MUST BE TAKEN ON SITE



Copyright by Eilbeck Cranes www.eilbeckcranes.com.au