

CG302FFX

30cm, Gas Cooktop

BLANCO



Model Code

CG302FFX – stainless steel with flame failure

Description

30cm, 2 burner gas cooktop with enamel trivets

Warranty

BLANCOCare™ 2 years parts & labour

Features

Smooth One Piece Hob Design

Enamel Trivets

High Performance Sabaf Burners

Automatic Ignition

Front Control Operation

Flame Failure

Compact Design

Available in Natural Gas or Propane

Benefits

The smooth one piece hob design makes cleaning the cooktop so much easier, saving time and effort. Simply wipe over with a damp cloth.

Complimenting the smooth, sleek construction of the unit, whilst providing a non-scratch, non-slip surface for pots and pans.

High quality Sabaf burners provide even heat distribution for great cooking results.

Ease of operation, no need for manual ignition, simply twist the knob and the gas connection ignites.

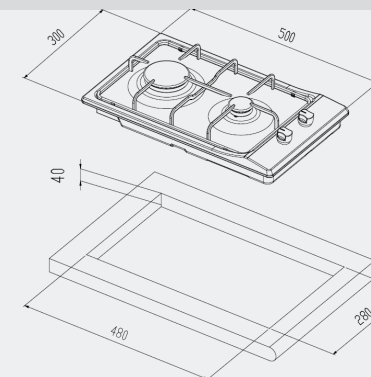
Added safety while cooking, as there is no need to lean over a naked flame to operate the controls.

Extra safety in the kitchen offering peace of mind, the gas will shut off when there is no continuous flame.

Suitable for the compact kitchen design, providing a high quality appliance where space is minimal.

The cooktop is supplied adjusted for natural gas installation, however can be converted for propane application (conversion kit supplied).

Specifications



Dimensions:	300W x 500D x 40H mm
Cut-out size:	280W x 480D mm
Burner Types:	Sabaf burners
Power Cord:	240V 10Amp for auto ignition
Power Cord Length:	1.8 meters
Pressure (kPa):	Natural Gas: 1.00kPa Propane: 2.75kPa
Gas Entry Point:	Rear right hand side

Cooktop Burners:	Natural Gas	Propane Gas
Rear - rapid:	12.0Mj/h	10.4Mj/h
Front - auxiliary:	4.1Mj/h	3.5Mj/h

NOTE: It is advisable to check dimensions of physical product when measuring for installation and before doing any cut outs.

*Due to continual product development the information provided is not final and may be subject to change.