

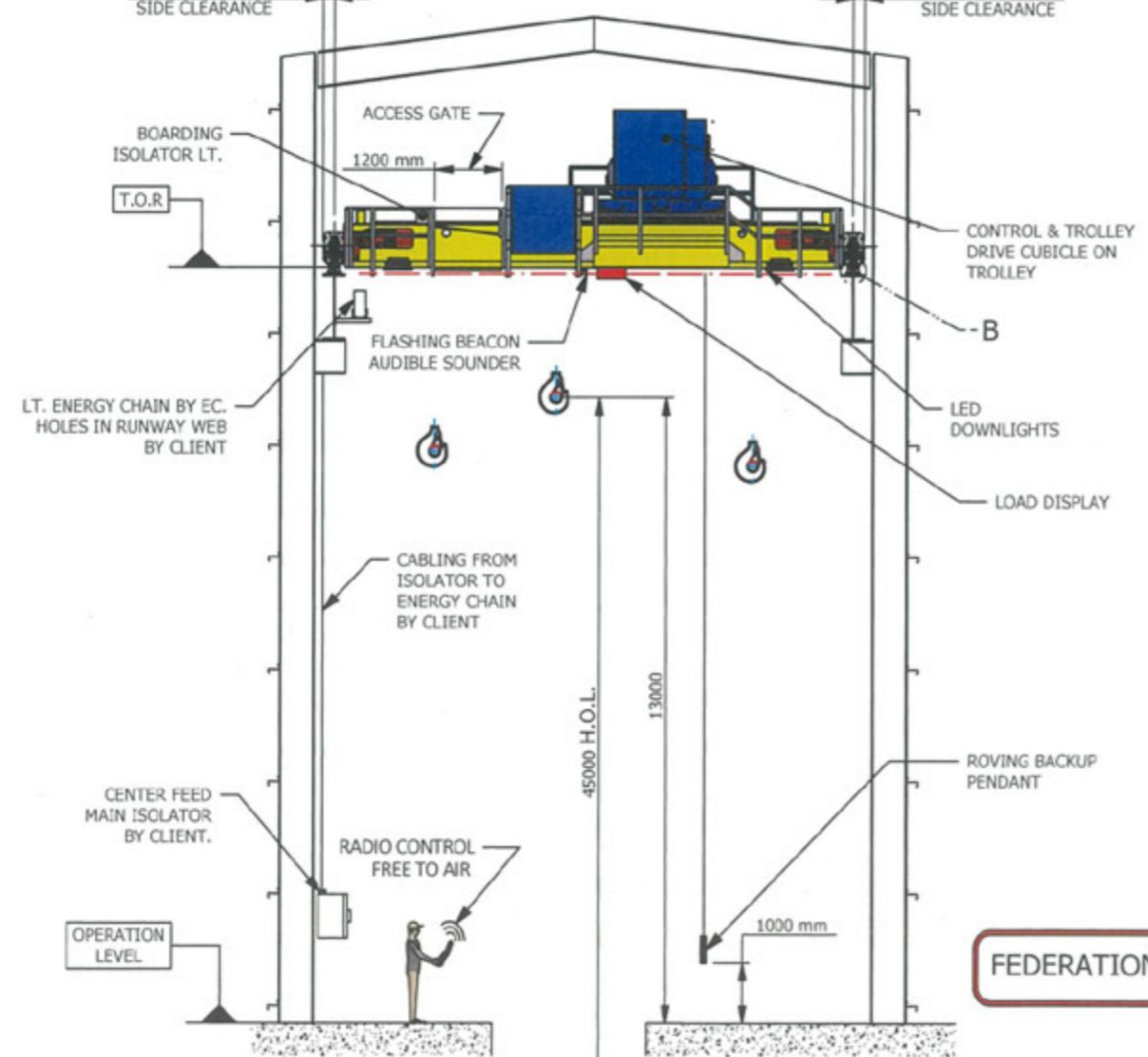
TECHNICAL SPECIFICATIONS

1. CRANE BRIDGE	
RATED CAPACITY	50t MRC
CRANE SPAN	9300 mm
CRANE TYPE/MODEL	ZLK
MANUFACTURER	EILBECK CRANES
STRUCTURAL CLASS	S4 (AS 1418.1)
CRANE SPEED	45-4 m/min (VSD)
RUNWAY LENGTH	32.62 m
STRUCTURAL PAINTING	EC SYSTEM E1 - GOLDEN YELLOW Y14
CRANE STRUCTURE WEIGHT	11825 kg (w/o HOISTS)
2. MAIN HOIST	
HOIST CAPACITY	50 t
MODEL	ES.80125-20.4/2.50.1.Z.315.20.st
MANUFACTURER	EILBECK CRANES
MECHANISM CLASS	M5 (AS1418)
LIFTING SPEED (AVERAGE)	32 - 1.2 m/min
LIFTING SPEED (FULL LOAD)	22 - 1.2 m/min
HOOK DROP	45 m
CRAB SPEED (CT)	20-2 m/min (VSD)
PAINTING	EC SYSTEM H1
CRAB WEIGHT	11300 kg
3. GENERAL:	
GROUP CLASS	C5 (AS 1418.1)
CONTROL	RADIO CONTROL
POWER DEMAND	230 kW
SUPPLY VOLTAGE	415V / 50Hz / 3PH+E
CONTROL VOLTAGE	24 VDC
OPERATING LOCATION	INDOORS
PROTECTION TYPE	IP55
AMBIENT TEMPERATURE	5-40°
TOTAL CRANE WEIGHT	23125 kg
EC SERIAL No.	30322

CLIENT'S APPROVAL
 SIGNATURE: *[Signature]* DATE: 29-8-19
 NAME IN BLOCK LETTERS: Luca Brown POSITION: Mech Eng

WHEEL LOADING (AS 1418.1)

VERTICAL		LATERAL (ACROSS RAIL)	
- MIN STATIC	76 kN	- INERTIA (Phb21)	+/- 4.5 kN
- MAX STATIC	309 kN	- INERTIA (Pc)	4.56 kN
- MAX DYNAMIC	351 kN	- SKEWING (Y21)	45.49 kN
LONGITUDINAL (ALONG RAIL)		- SKEWING (Y11)	11.07 kN
- INERTIA (Tr)	21 kN		
- BUFFER FORCE	50 kN		



FEDERATION SQ

FILE LOCATION - C:\VAULT\Production\35802-DMS-700\DRAWINGS\35802-DMS-700 - CRANE GENERAL ARRANGEMENT.dwg

REV	DATE	DESCRIPTION	DRN	CHK	APP
3	28/08/2019	RELOCATED CRAB TO MAINTENANCE POSITION	MS	DL..	DL.
2	12/08/2019	DAVIT & LED. DOWNLOGHTS RELOCATED	MS	DL.	DL.

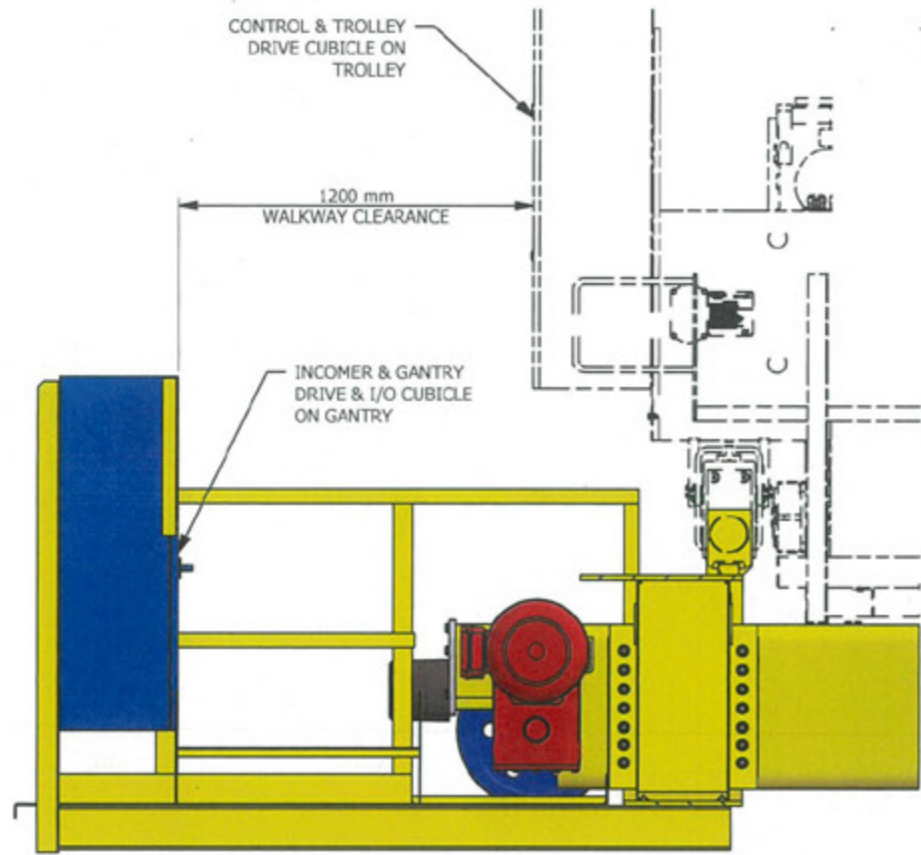
DESIGN REFERENCES		APPROVAL FOR CONSTRUCTION	
STRUCTURAL REF	35802-EDC-700_0	CHECKED	
STRUCTURAL BY	NB.	APPROVED	
REGO BODY		DATE	
MECHANICAL	AH.	SIGNED	Dion Liebenberg 2019.08.28 14:20:11 +10'00'
ELECTRICAL	AW.		

CLIENT: CROSS YARRA PARTNERSHIP
 PROJECT: MELBOURNE METRO TUNNEL
 EQUIP. ID: CN-700-FSQ

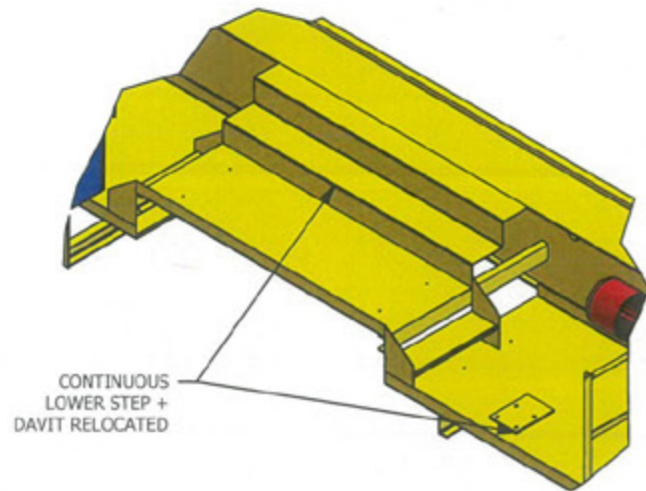
Eilbeck CRANES
 copyright by Eilbeck Cranes www.eilbeckcranes.com.au

110 Years AUSTRALIAN

DWG TITLE				
50t DOUBLE GIRDER CRANE 'ZLK'				
FEDERATION SQUARE STATION				
CRANE GENERAL ARRANGEMENT (1 / 2)				
REG. CODE	SIZE	UNITS	DWG NO	REV
	A3	mm	35802-DMS-700	3

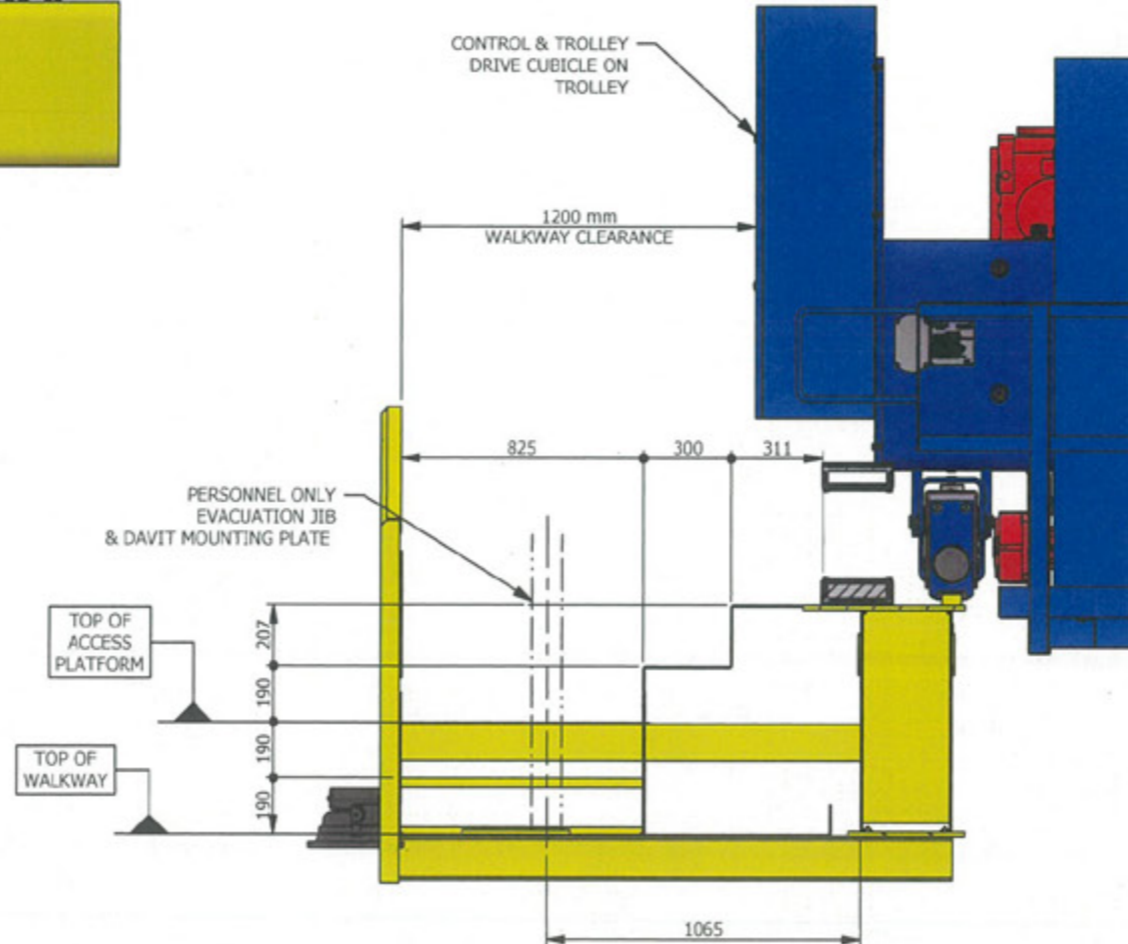


SECTION C-C
SCALE: 1 : 25

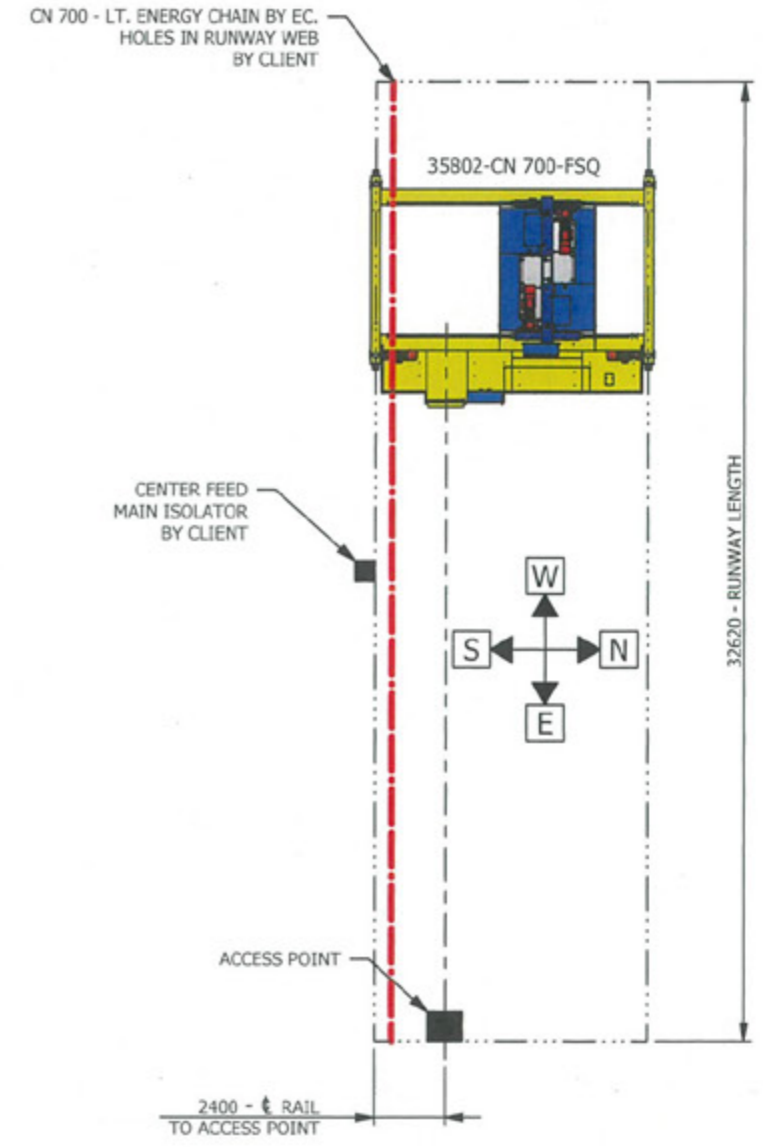


ISO ACCESS PLATFORM
SCALE: 1 : 50
HANDRAILS HIDDEN FOR CLARITY

CLIENT'S APPROVAL
 SIGNATURE: *[Signature]* DATE: 29-8-19.
 NAME IN BLOCK LETTERS: Luke Brown POSITION: Mech Eng



SECTION D-D
SCALE: 1 : 25



BUILDING PLAN
SCALE: 1 : 250

DESIGN REFERENCES STRUCTURAL REF 35802-EDC-700_0 STRUCTURAL BY NB. REGO BODY MECHANICAL AH. ELECTRICAL AW.		APPROVAL FOR CONSTRUCTION CHECKED APPROVED DATE SIGNED <i>[Signature]</i> Dion Liebenberg 2019.08.28 14:20:32 +10'00'		CLIENT: CROSS YARRA PARTNERSHIP PROJECT: MELBOURNE METRO TUNNEL EQUIP. ID: CN-700-FSQ   copyright by Eilbeck Cranes www.eilbeckcranes.com.au		DWG TITLE 50t DOUBLE GIRDER CRANE 'ZLK' FEDERATION SQUARE STATION CRANE GENERAL ARRANGEMENT (2 / 2)			
REG. CODE	SIZE	UNITS	DWG NO	REV					
	A3	mm	35802-DMS-700	3					

FILE LOCATION - C:\VAULT\Production\13300-VIC\35802-MMT\35802-MMT-FederationSq\SN_XXXXX - 700\DRAWINGS\35802-DMS-700 - CRANE GENERAL ARRANGEMENT.dwg