

BRST60X & BRST90X

'Touch Control' Slide Out Rangehood

BLANCO



BRST90X



BRST60X

Model Code

BRST60X – 60cm with Stainless Steel

BRST90X – 90cm with Stainless Steel

Description

Touch Control Slide-Out Rangehood

Optional

Carbon filter (ACK62260)

Warranty

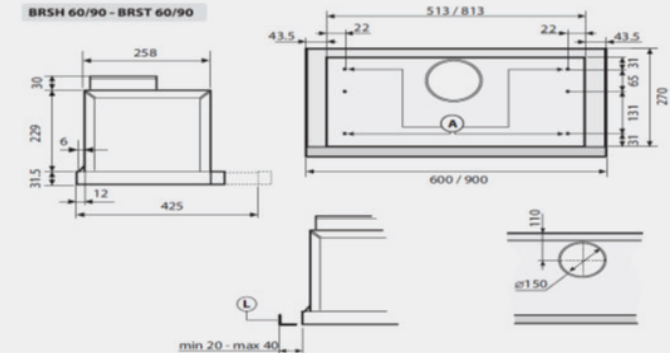
BLANCOCare™ 2 years parts & labour

Features

Benefits

Touch Control Operation	Easy to use, innovative touch control operation.
4 Speed	Offers a variety of fan speed to suit the type of cooking.
Boost Function	This provides an additional air movement for a period of 10min. After 10min it will revert back to the original speed setting.
Timer	Rangehood will continue to function on the chosen speed for 15min. After which time the rangehood will automatically switch off.
Clean Air Function	Function can be activated once the rangehood has been turned off. Rangehood will 'Activate' for 10min every hour to help reduce lingering cooking odours (after cooking is complete).
Stainless Steel aesthetic	Provides a modern Stainless Steel aesthetic – adding to the appeal to your kitchen.
2 X 20W Halogen lights	Brighter and clearer cooking space.
650m3/Hr Air Movement	Cleaner air and reduction of condensation, protecting walls and cabinets.
2 Aluminium Grease Filter for BRST60X 4 Aluminium Grease Filter for BRST90X	Easy cleaned, simply hand wash or put in the dishwasher.
Rail design – Easy grip 'Handle'	Ease of use.

Specifications



Dimensions:	BRST60X: 260.5H x 600W x 298D (mm) BRST90X: 260.5H x 900W x 298D (mm)
Method of installation:	Built into overhead cupboards
Power Requirement:	240V – 10 Amps
Airflow:	650m3/h
Fan:	4 Speed (including boost)
Integrated Slide:	Extends 181mm
Ducting:	Top only or recirculating (carbon filters recommended for recirculated installation)
Duct Spigot:	120mm
Noise Level at high:	60 dB
Filters:	2 x Grease Filters for BRST60X 4 x Grease Filters for BRST90X
Minimum height above cooktop to lowest point of rangehood:	650 mm

NOTE: Measurements are within 2/3mm factory tolerance. It is advisable to check dimensions of physical product when measuring for installation and before doing any cut outs.

*Due to continual product development the information provided is not final and may be subject to change.